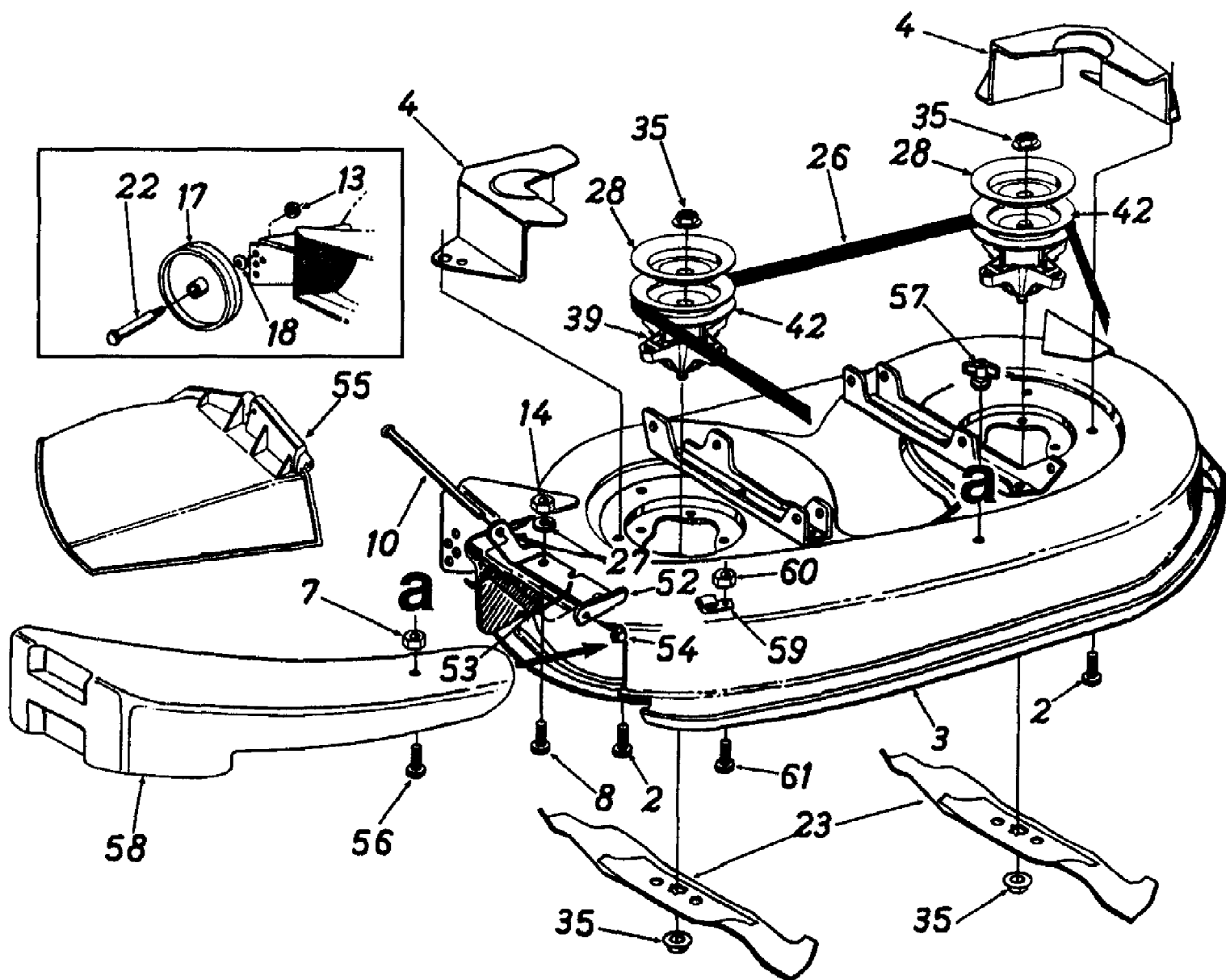


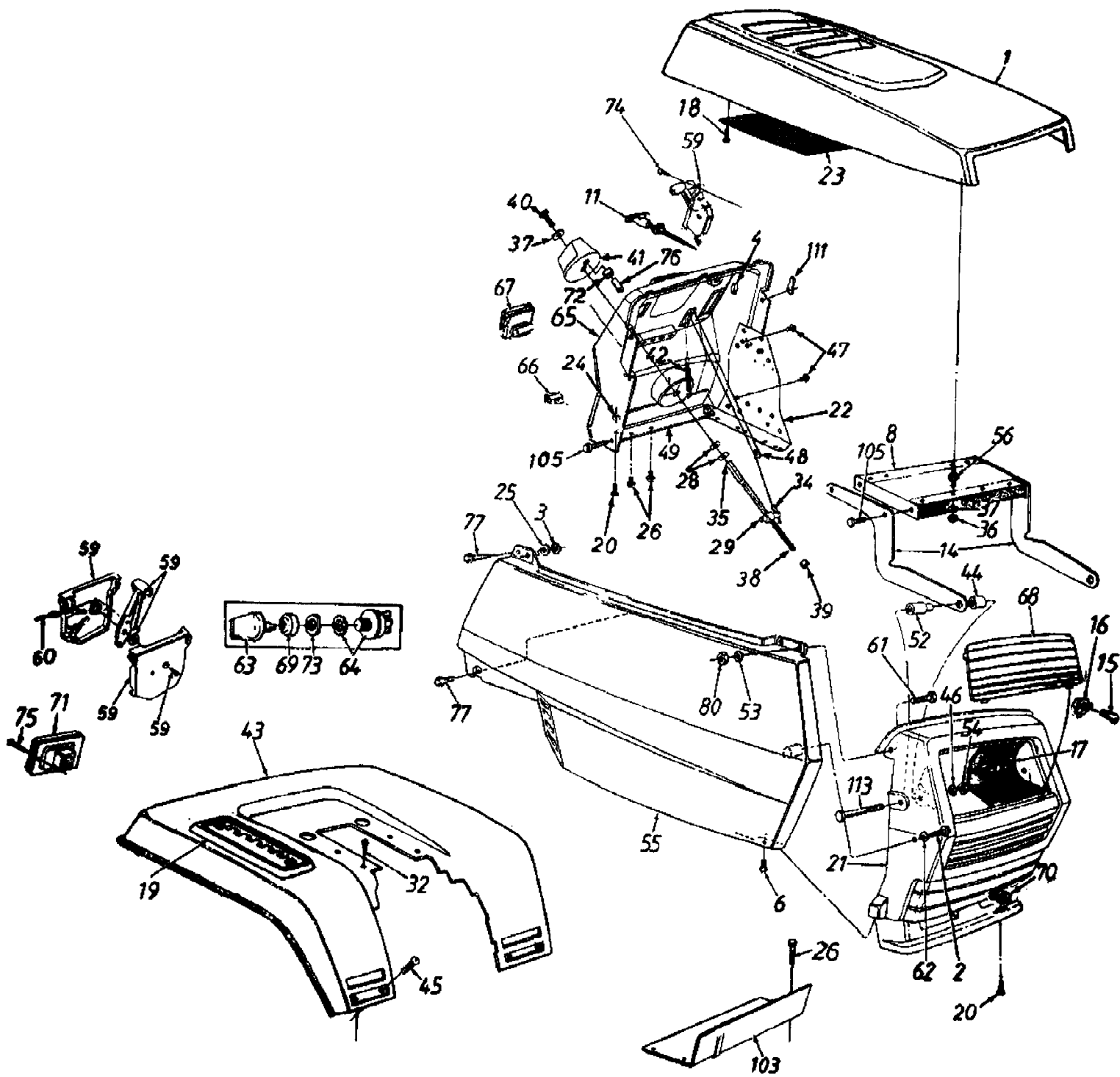
13A1686G190 LT-15 (1997)  
42" Mowing Deck



13A1686G190 LT-15 (1997)  
42" Mowing Deck

Page 2 of 24

| Ref # | Part Number | Qty | S/P/F | Description  |
|-------|-------------|-----|-------|--|
| 2     | 710-1260    | 1   | S     | Hex Wash. Hd. TT-Tap Scr. 5/16-18 x .75" Lg.   |
| 3     | 683-0141    | 1   | S     | 42" Deck Ass'y. Code: N Notates a new part (not previously existing).                          |
|       | 813-06977   | 1   | S     | 42" Deck Ass'y. Comp. (For Service Only) Code: N Notates a new part (not previously existing). |
| 4     | 783-0149    | 1   | S     | Belt Guard Deck Code: N Notates a new part (not previously existing).                          |
| 7     | 712-0291    | 1   | S     | Hex L-Nut 1/4-20 Thd. Optional   |
| 8     | 710-0258    | 1   | S     | Hex Bolt 1/4-20 x .62"   |
| 10    | 711-0792    | 1   | S     | Hinge Pin  |
| 13    | 712-0181    | 1   | S     | Hex Top L-Nut 3/8-16 Thd.  |
| 14    | 712-3006    | 1   | /P    | Hex Nut 1/4-20 Thd. (Gr. 5)  |
| 17    | 734-0973    | 1   | /P    | Deck Wheel - 5"  |
| 18    | 736-0105    | 1   | /P    | Bell-Wash. .40" I.D. x .88" O.D.   |
| 22    | 738-0373    | 1   | S     | Shld. Bolt .498" Dia. x 1.53"  |
| 23    | 742-0616    | 1   | S     | 3 in 1 Blade Code: N Notates a new part (not previously existing).                             |
| 26    | 754-0371A   | 1   | S     | V-Belt   |
| 27    | 736-0270    | 1   | /P    | Bell-Wash. 1/4" I.D.   |
| 28    | 783-0342    | 1   | S     | Brake Disc   |
| ?33   | 710-0157    | 1   | /P    | Hex Bolt 5/16-24 x .75" Lg.  |
| 35    | 712-0417A   | 1   | /P/F  | Hex Flange Nut 5/8-18 Thd.   |
| ?37   | 736-0158    | 1   | S/F   | L-Wash. 5/8" I.D.  |
| 39    | 618-0142    | 1   | S     | Blade Spindle Ass'y. Comp. (Incl. Ref. 28, 35, 42)   |
| 42    | 756-0980    | 1   | F     | 5.75" Dia. Pulley Code: N Notates a new part (not previously existing).                        |
| 52    | 703-1693    | 1   | S     | Hinge Mtg. Brkt.   |
| 53    | 732-0602    | 1   | S     | Torsion Spring   |
| 54    | 726-0106    | 1   | S     | Push Nut   |
| 55    | 731-1032    | 1   | S     | Chute Ass'y. Comp. (Incl. Ref. 10, 52, 53, 54, 55)   |
| 56    | 710-0597    | 1   | /P    | Hex Bolt 1/4-20 x 1" Lg. Optional  |
| 57    | 712-3087    | 1   | /P    | Wing Nut 1/4-20 Thd. Optional  |
| 58    | 731-1643    | 1   | S     | Mulching Plug Code: N Notates a new part (not previously existing). Optional                   |
| 59    | 16606       | 1   | S     | Retainer Hook Brkt.  |
| 60    | 712-0271    | 1   | /P    | Hex Sems Nut 1/4-20 Thd.   |
| 61    | 710-0258    | 1   | S     | Hex Bolt 1/4-20 x .62" Lg.   |



13A1686G190 LT-15 (1997)  
Hood, Grille And Controls

Page 4 of 24

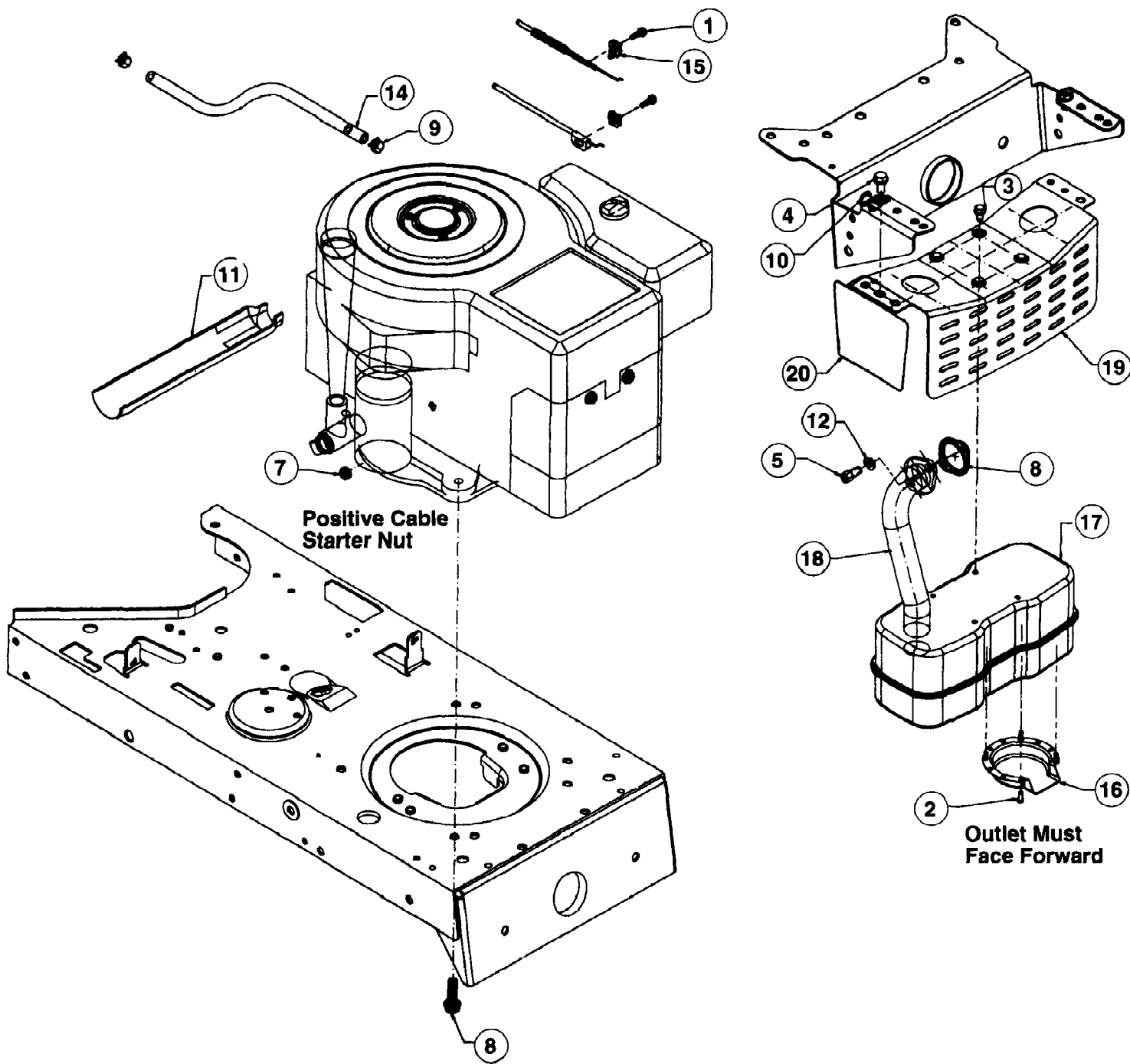
| Ref # | Part Number | Qty | S/P/F | Description   |
|-------|-------------|-----|-------|---|
| 1     | 731-1429    | 1   | S     | Hood  |
| 2     | 710-0896    | 1   | /P    | Hex Wash. B-Tap Scr. 1/4 x .62" Lg.   |
| 3     | 726-0233    | 1   | /P    | Bolt Retainer 1/4" I.D.   |
| 4     | 17782       | 1   |       | Retainer Clip   |
| 6     | 710-0351    | 1   | /P    | Truss Mach. B-Tap Scr. #10 x .5" Lg.  |
| 8     | 16903A      | 1   | S     | Hood Plate  |
| 11    | 746-3021    | 1   |       | Choke Control   |
| 14    | 16902A      | 1   |       | Hood Hinge  |
| 15    | 725-0963    | 1   | S     | Lamp  |
| 16    | 725-1649    | 1   | S     | Twist Lock - Lamp Socket  |
| 17    | 777-8516    | 1   |       | Reflector - Headlight   |
| 18    | 710-0227    | 1   | /P    | Hex Wash. Hd. AB-Tap Scr. #8 x .5" Lg.                                      |
| 19    | 783-0341    | 1   |       | 8-Speed Selector Plate Code: N Notates a new part (not previously existing) |
| 20    | 710-0118    | 1   | S/F   | Hex Bolt 5/16-18 x .75" Lg.   |
| 21    | 731-1430B   | 1   | S     | Grille Code: N Notates a new part (not previously existing)                 |
| 22    | 17300D      | 1   |       | Dash Support Bracket  |
| 23    | 723-0416    | 1   |       | Screen  |
| 24    | 712-0265    | 1   | /P/F  | Hex Sems Nut 5/16-18 Thd.   |
| 25    | 736-0176    | 1   | S     | FI-Wash. 1/4" I.D. x .93" O.D.  |
| 26    | 710-0607    | 1   | /P    | Hex Wash. Hd. B-Tap Scr. 5/16-18 x .5" Lg.                                  |
| ?27   | 710-0429    | 1   | S     | Hex B-Tap Scr. #10 x .38" Lg.   |
| 28    | 736-0267    | 1   | S     | FI-Wash. 3/8" I.O. x .875" O.D.   |
| 29    | 711-1002    | 1   |       | Adj. Ferrule 3/8-8 Thd.   |
| 32    |             | 1   |       | UNKNOWN   |
| ?33   | 736-0242    | 1   | /P    | Bell-Wash. .345" I.D. x .88"  |
| 34    | 714-0101    | 1   | S     | Hairpin Clip  |
| 35    | 716-0125    | 1   | S     | "E"-Ring .375" Dia.   |
| 36    | 712-0287    | 1   | S/F   | Hex Nut 1/4-20 Thd.   |
| 37    | 736-0270    | 1   | /P    | Bell-Wash. .265" I.D. x .75"  |
| 38    | 747-0898    | 1   |       | Adjustment Rod  |
| 39    | 712-0449    | 1   |       | Hex Nut 3/8-8 Twin Thd.   |
| 40    | 710-3015    | 1   | /P    | Hex Bolt 1/4-20 x .75" Lg.  |
| 41    | 720-0236    | 1   | S     | Plastic Knob  |
| 42    | 732-0732    | 1   |       | Ext. Spring 3.21" Lg.   |
| 43    | 783-0329    | 1   | S     | Rear Fender Code: N Notates a new part (not previously existing)            |
| 44    | 750-0755    | 1   |       | Spacer .33" I.D. x .625" O.D.   |
| 45    | 710-0167    | 1   | /P/F  | Carriage Bolt 1/4-20 x .50" Lg.   |
| 46    | 736-0278    | 1   |       | FI-Wash. .328" I.D. x .68" O.D.   |
| 47    | 710-0599    | 1   | /P    | Hex Wash. Hd. Scr. 1/4-20 x .5" Lg.   |
| 48    | 727-0460    | 1   | S     | Indicator Strip   |
| 49    | 783-0120    | 1   | S     | Indicator Bracket   |
| 52    | 750-0754    | 1   |       | Shld. Spacer .33" I.D.  |
| 53    | 736-0142    | 1   | S     | FI-Wash. .281" I.D. x .5" O.O.  |
| 54    | 712-0158    | 1   | S     | Hex Cent. L-Nut 5/16-18 Thd.  |
| 55    | 731-1432A   | 1   | S     | Side Cover - R.H.   |
|       | 731-1431A   | 1   |       | Side Cover - L.H.   |
| 56    | 710-1034    | 1   |       | Double Ended Stud 1/4-20 Thd.   |
| 59    | 831-0823A   | 1   | /P    | Throttle Control Box Ass'y.   |
| 60    | 746-0775    | 1   |       | Control Wire 35" Lg.  |

13A1686G190 LT-15 (1997)  
Hood, Grille And Controls

Page 5 of 24

| Ref # | Part Number | Qty | S/P/F | Description                           |
|-------|-------------|-----|-------|---------------------------------------|
| 61    | 710-0258    | 1   | S/F   | Hex Bolt 1/4-20 x .62" Lg.            |
| 62    | 736-0173    | 1   | /P    | FI-Wash. .281" I.D. x .73" O.D.       |
| 63    | 725-1341B   | 1   | /P    | Ignition Key                          |
| 64    | 725-1396    | 1   | S     | Ignition Switch                       |
| 65    | 731-1510    | 1   | S     | Dash Panel                            |
| 66    | 725-0634    | 1   | S     | Light Switch                          |
| 67    | 725-0925    | 1   | S     | Ammeter                               |
| 68    | 731-1038    | 1   | S     | Lens                                  |
| 69    | 725-1347    | 1   | /P    | Ignition Switch Cap                   |
| 70    | 726-0211    | 1   | S     | U-Nut 5/16-18 Thd.                    |
| 71    | 725-3018    | 1   |       | Taillight                             |
| 72    | 750-0526    | 1   |       | Spacer                                |
| 73    | 725-1346    | 1   | S     | Ignition Switch Nut                   |
| 74    | 710-0779A   | 1   | /P    | Truss Mach. AB-Tap Scr. #10 x .5" Lg. |
| 75    | 710-0936    | 1   |       | Truss Hd. AB-Tap Scr. #6 x .62" Lg.   |
| 76    | 732-0675    | 1   |       | Ball Plunger                          |
| 77    | 710-0642    | 1   | /P    | Hex Wash. Hd. Tap Scr. 1/4 x .75" Lg. |
| 80    | 712-0291    | 1   | S     | Hex L-Nut 1/4-20 Thd.                 |
| ?94   | 712-0147    | 1   | /P    | Speed Nut #10-24 Thd.                 |
| 103   | 17633A      | 1   | S     | Gasoline Tank Support                 |
| 105   | 710-0599    | 1   | /P    | Hex Tap Scr. 1/4-20 x .5" Lg.         |
| 111   | 712-0185    | 1   |       | Speed Nut 1/4-20 Thd.                 |
| 113   | 710-0176    | 1   | /P    | Hex Bolt 5/16-18 x 2.75"              |

13A1686G190 LT-15 (1997)  
Muffler And Exhaust

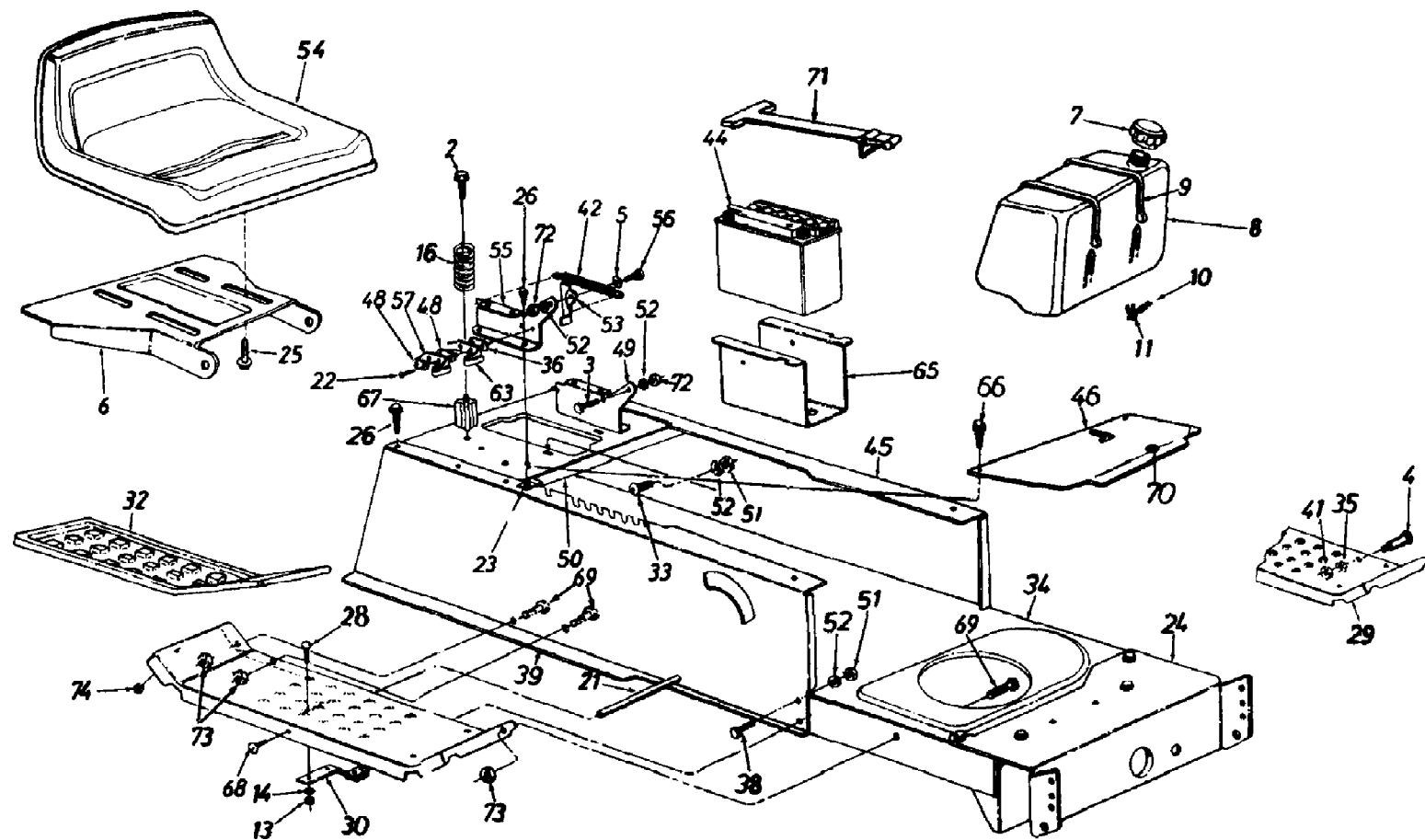


13A1686G190 LT-15 (1997)  
Muffler And Exhaust

Page 7 of 24

| Ref # | Part Number | Qty | S/P/F | Description  |
|-------|-------------|-----|-------|--|
| 1     | 710-1237    | 1   |       | Hex Wash. Scr. #10-32 x .62" Lg.   |
| 2     | 710-0148    | 1   | /P    | Hex Tap Scr. #8-32 x .38" Lg.  |
| 3     | 710-0599    | 1   | /P    | Hex Wash. TT-Tap Scr. 1/4-20 x .5" Lg.                                   |
| 4     | 710-0604    | 1   | S     | Hex Wash. TT-Tap Scr. 5/16-18 x .62" Lg.                                 |
| 5     | 710-1314    | 1   | S     | Socket Head Scr. 5/16-18 x .62" Lg.                                      |
| ?6    | 710-1315    | 1   | /P    | Hex Wash. TT-Tap Scr. 3/8-16 x 1.25" Lg.                                 |
| 7     | 712-0271    | 1   | /P    | Hex Sems Scr. 1/4-20 Thd.  |
| 8     | 721-0208    | 1   | S     | Gasket   |
| 9     | 726-0205    | 1   | /P    | Hose Clamp   |
| 10    | 726-0272    | 1   | /P    | Clamp  |
| 11    | 731-1682A   | 1   | /P    | Oil Drain Sleeve Code: N Notates a new part<br>(not previously existing) |
| 12    | 736-0119    | 1   | S     | Lock Washer 5/16" I.D.   |
| 14    | 751-0535-12 | 1   | S     | Fuel Line 12" Lg.  |
| 15    | 751B213146  | 1   | /P    | Casing Clamp   |
| 16    | 751-0564    | 1   | S     | Muffler Deflector  |
| 17    | 751-0617    | 1   | S     | Muffler  |
| 18    | 751-0619    | 1   | S     | Exhaust Pipe   |
| 19    | 783-0320A   | 1   | S     | Muffler Brkt.  |
| 20    | 783-0385    | 1   |       | Shield Brkt.   |

13A1686G190 LT-15 (1997)  
Seat, Lower Frame And Fuel Tank





13A1686G190 LT-15 (1997)  
Seat, Lower Frame And Fuel Tank

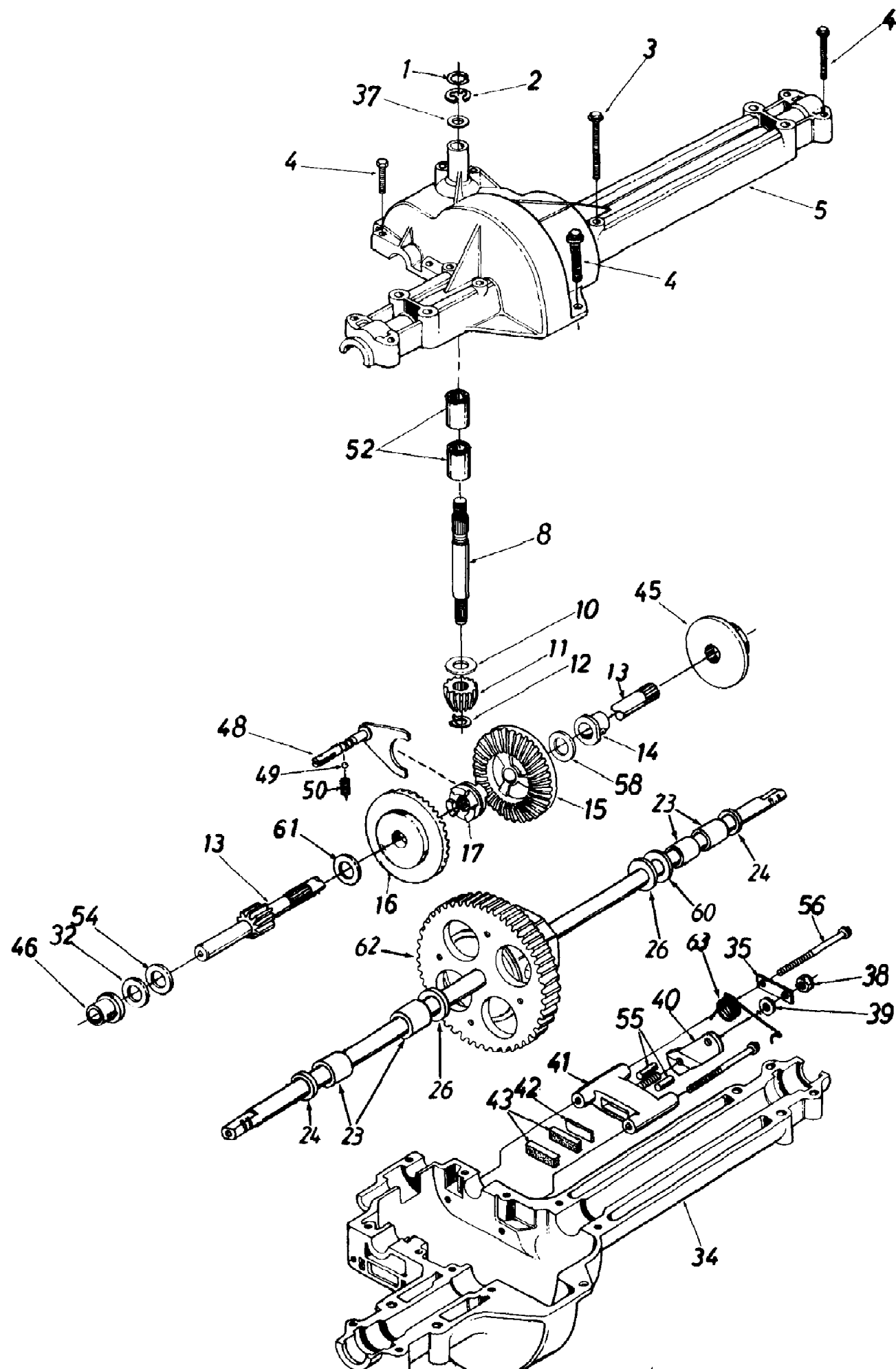
Page 9 of 24

| Ref # | Part Number | Qty | S/P/F | Description   |
|-------|-------------|-----|-------|---|
| 2     | 710-1208    | 1   | /P    | Hex Wash. Hd. Tap Scr. 5/16-18 x 3.25" Lg.                        |
| 3     | 738-0155    | 1   | S     | Shld. Bolt .437" Dia. x .162"                                     |
| 4     |             | 1   |       | UNKNOWN   |
| 5     | 736-0141    | 1   | S     | Spr-Wash. .445" I.D. x .75  |
| 6     | 783-0039A   | 1   | /P    | Seat Pivot Bracket  |
| 7     | 751-0603    | 1   | S     | Fuel Cap  |
| 8     | 751-0574A   | 1   |       | Fuel Tank   |
|       | 749-0934    | 1   |       | Fuel Tank Support Rod (Not shown)                                 |
| 9     | 726-0209    | 1   | /P    | Tie Strap   |
| 10    | 751-0535-15 | 1   | S     | Fuel Line   |
| 11    | 726-0205    | 1   | /P    | Hose Clamp  |
| 13    | 712-0287    | 1   | S/F   | Hex Nut 1/4-20 Thd.   |
| 14    | 736-0329    | 1   | S     | L-Wash. 1/4" I.D.   |
| 16    | 732-0735    | 1   | /P    | Compression Spring  |
| 21    | 738-0526    | 1   |       | Running Board Rod   |
| 22    | 710-0227    | 1   | /P    | Hex Hd. AB-Tap Scr. #8 x .50"                                     |
| 23    | 726-0139    | 1   | /P    | Speed Nut #102  |
| 24    | 783-0041A   | 1   | S     | Front Pivot Brkt.   |
| 25    | 710-0870    | 1   | /P    | Hex Tap Scr. 3/8-16 x .62" Lg.                                    |
| 26    | 710-0726    | 1   | /P    | Hex Wash. Hd. AB-Tap Scr. 5/16 x .75" Lg.                         |
| 28    |             | 1   |       | UNKNOWN   |
| 29    | 17770B      | 1   | S     | Running Board (R.H. & L.H.)                                       |
| 30    |             | 1   |       | UNKNOWN   |
| 32    | 731-0909    | 1   | S     | Rubber Foot Pad - L.H.  |
|       | 731-0910    | 1   | S     | Rubber Foot Pad - R.H.  |
| 33    | 710-0323    | 1   | /P/F  | Truss Mach. Scr. 5/16-18 x .75" Lg                                |
| 34    | 783-0310B   | 1   | S     | Lower Frame Code: N Notates a new part (not previously existing)  |
| 35    | 736-0169    | 1   | S/F   | L-Wash. 3/8" I.D.   |
| 36    | 726-0278    | 1   |       | Insulator Boss Plate  |
| ?37   | 736-0264    | 1   | S     | FI-Wash. .344" I.D. x .625" O.D.                                  |
| 38    | 710-0118    | 1   | S/F   | Hex Bolt 5/16-18 x .75" Lg.                                       |
| 39    | 783-0042A   | 1   | S     | Upper Frame - R.H.  |
| 41    | 712-0798    | 1   | /P/F  | Hex Nut 3/8-16 Thd.   |
| 42    | 732-0581B   | 1   | S     | Extension Spring 5.31" Lg.  |
| 44    | 725-1707B   | 1   | S     | 12-V Battery Code: N Notates a new part (not previously existing) |
| 45    | 783-0043    | 1   | /P    | Upper Frame - L.H.  |
| 46    | 17286B      | 1   | S     | Shift Cover   |
| ?47   | 725-1643    | 1   |       | Reverse Safety Switch   |
| 48    | 726-0279    | 1   |       | Insulator Plate   |
| 49    | 17951       | 1   | S     | Seat Pivot Brkt. Support - L.H.                                   |
| 50    | 783-0355    | 1   | S     | Hitch Plate   |
| 51    | 712-0267    | 1   | S/F   | Hex Nut 5/16-18 Thd.  |
| 52    | 736-0119    | 1   | S/F   | L-Wash. 5/16" I.D.  |
| 53    | 17239A      | 1   | S     | Seat Lift Brkt.   |
| 54    | 757-0370A   | 1   | S     | Seat  |
| 55    | 17950       | 1   | S     | Seat Pivot Brkt. Support - R.H.                                   |
| 56    | 738-0296    | 1   | S     | Shld. Bolt .437" Dia. x .268"                                     |
| 57    | 725-1303    | 1   | S     | Spring Switch (Seat)  |
| ?59   | 710-0650    | 1   | /P    | Hex Wash. TT-Tap Scr. 5/16-18 x 7/8" Lg.                          |
| ?62   | 726-0320    | 1   | S     | Insulator Nut Plate   |

13A1686G190 LT-15 (1997)  
Seat, Lower Frame And Fuel Tank

Page 10 of 24

| Ref # | Part Number | Qty | S/P/F | Description                             |
|-------|-------------|-----|-------|---|
| 63    | 725-1439    | 1   |       | Safety Switch (Seat)                    |
| 65    | 783-0345    | 1   | S     | Battery Tray                            |
| 66    | 710-0351    | 1   | /P    | Truss Mach. B-Tap Scr. #10 x .5"        |
| 67    | 748-0347    | 1   | S     | Spring Spacer                           |
| 68    | 710-1221    | 1   |       | Pan Hd. Cutting Scr. 5/16-18 x .75" Lg. |
| 69    | 710-0118    | 1   | S/F   | Hex Bolt 5/16-18 x .75" Lg.             |
| 70    |             | 1   |       | UNKNOWN                                 |
| 71    | 723-3064    | 1   |       | Battery Retainer Strap                  |
| 72    | 712-3010    | 1   | S     | Hex Nut 5/16-18 Thd. (Gr. 5)            |
| 73    | 712-0265    | 1   | /P    | Hex Sems Nut 5/16-18 Thd.               |
| 74    | 712-0271    | 1   | /P    | Hex Sems Nut 1/4-20 Thd.                |
| ?75   | 749-0934    | 1   |       | Gas Tank Support                        |
| ?76   | 710-1189    | 1   |       | Hex Hd. Tap Scr. #12-24 x .62" Lg.      |



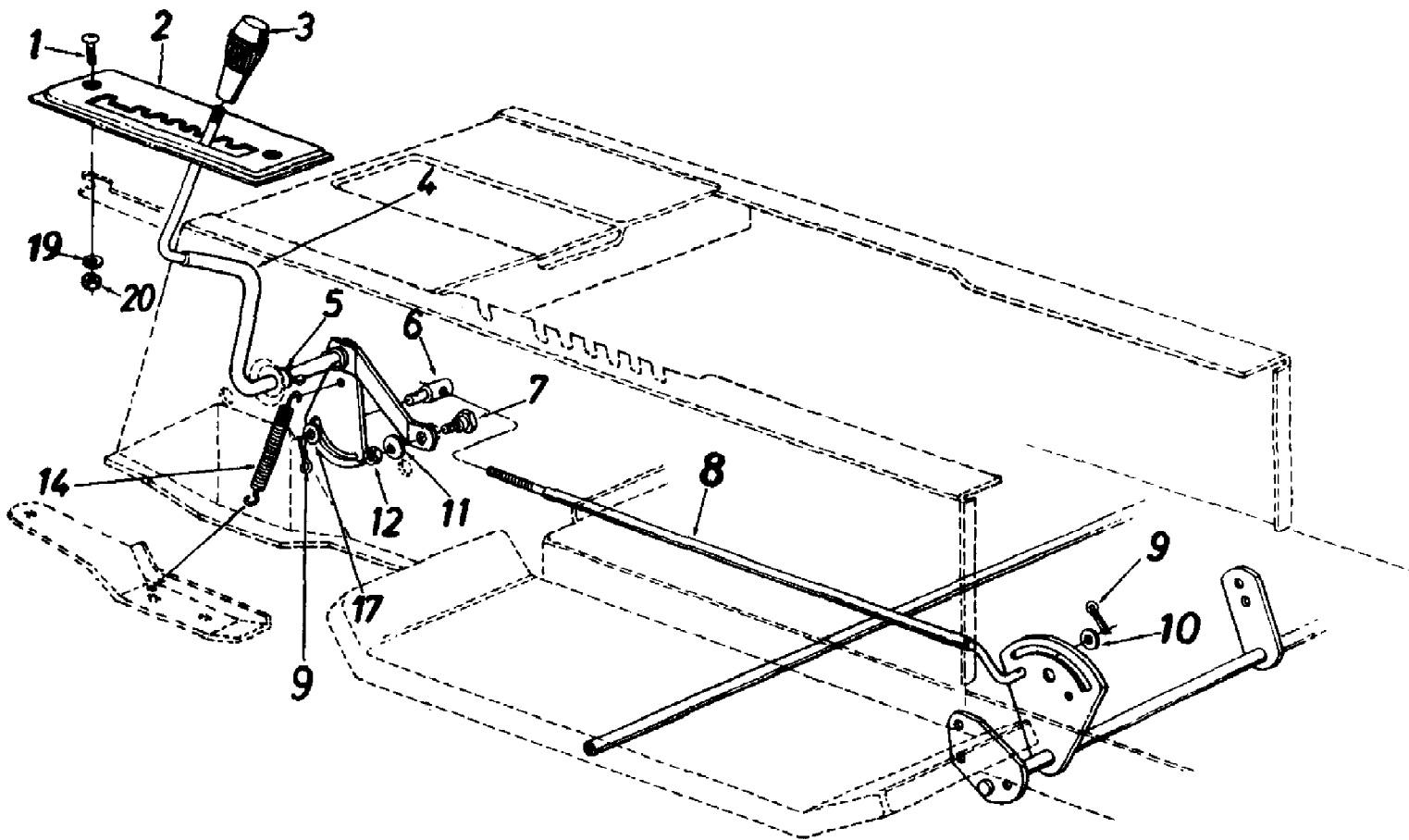
13A1686G190 LT-15 (1997)

Page 12 of 24

Single Speed Transaxle Right Hand 618-0163A

| Ref # | Part Number | Qty | S/P/F | Description                                   |
|-------|-------------|-----|-------|---|
| 1     | 732-0614    | 1   |       | Wire Ring                                     |
| 2     | 716-0231    | 1   | S     | "E" - Ring                                    |
| 3     | 710-1026    | 1   | /P/F  | Hex Wash. TT-Tap Scr. 1/4-20 x 1.75" Lg       |
| 4     | 710-0809    | 1   |       | Hex Tap Scr. 1/4-20 x 1.25" Lg.               |
| 5     | 719-0314    | 1   | S     | Upper Housing                                 |
| 8     | 711-0861    | 1   |       | Input Shaft                                   |
| 10    | 736-0335    | 1   | S     | Thrust Washer 5/8" I.D. x 1.25" O.D.          |
| 11    | 717-0633    | 1   | S     | Pinion Input 14T                              |
| 12    | 716-0171    | 1   | S     | Retaining Ring                                |
| 13    | 711-1003    | 1   | S     | Drive Shaft - R.H. Brake                      |
| 14    | 741-0336    | 1   | S/F   | Flange Brg. 5/8" I.D. x 3/4" Lg.              |
| 15    | 717-1362    | 1   | S     | Bevel Gear 42T Small I.D.                     |
| 16    | 717-1363    | 1   | S     | Bevel Gear 42T Large I.D.                     |
| 17    | 718-0228    | 1   |       | Clutch Collar                                 |
| ?21   | 710-0862A   | 1   | /P    | Pan Head Scr. 1/4-20 x .50" Lg. w/Patch       |
| 23    | 741-0340    | 1   | S     | Sleeve Bearing 3/4" I.D. x 1.0" Lg.           |
| 24    | 721-0338    | 1   | S     | Oil Seal 3/4" I.D.                            |
| 26    | 736-0445    | 1   | S     | FI-Wash. .760" I.D. x 1.5" O.D.               |
| 32    | 736-0495    | 1   | S     | Thrust Wash. 5/8" I.D. x 1" O.D. x .025" Thk. |
|       | 736-0336    | 1   | S     | FI-Wash. 5/8" I.D. x 1" O.D. x .030" Thk.     |
|       | 736-0494    | 1   |       | Thrust Wash. 5/8" I.D. x 1" O.D. x .035" Thk. |
|       | 736-0337    | 1   | S     | FI-Wash. 5/8" I.D. x 1" O.D. x .040" Thk.     |
| 34    | 719-0313B   | 1   | /P    | Lower Housing                                 |
| 35    | 718-0150    | 1   |       | Anti-Rotation Brkt.                           |
| 37    | 736-0349    | 1   | S     | FI-Wash. 5/8" I.D. x 1" O.D. x .020" Thk.     |
|       | 736-0336    | 1   | S     | FI-Wash. 5/8" I.D. x 1" O.D. x .030" Thk.     |
|       | 736-0337    | 1   | S     | FI-Wash. 5/8" I.D. x 1" O.D. x .040" Thk.     |
| 38    | 712-0273    | 1   | S     | Hex Nut 5/16-24 Thd.                          |
| 39    | 736-0371    | 1   | /P    | FI-Wash. .344" I.D. x .875" O.D.              |
| 40    | 717-0700    | 1   | /P    | Actuating Arm                                 |
| 41    | 761-0198    | 1   | S     | Brake Yoke                                    |
| 42    | 717-0682    | 1   | S     | Puck Plate                                    |
| 43    | 717-0678    | 1   | S     | Brake Puck                                    |
| 45    | 761-0202    | 1   |       | Brake Disc                                    |
| 46    | 741-0337    | 1   | S     | Flange Bearing 5/8" I.D. x 15/16" Lg.         |
| 48    | 611-0011    | 1   | S     | Shift Fork Ass'y.                             |
| 49    | 741-0862    | 1   | /P    | Ball Detent .250" Dia.                        |
| 50    | 732-0863    | 1   | S     | Spring Detent                                 |
| 52    | 741-0335    | 1   | S     | Needle Brg. 5/8" I.D. x 1/2" Lg.              |
| 54    | 736-0349    | 1   | S     | FI-Wash. 5/8" I.D. x 1" O.D. x .020 Thk.      |
| 55    | 741-0343    | 1   | S     | Actuating Pin 5/16" Dia.                      |
| 56    | 710-1206    | 1   | /P    | Hex Wash Hd. Self-Tap Scr. 1/4-20 Thd.        |
| 58    | 736-0349    | 1   | S     | FI-Wash. 5/8" I.D. x 1" O.D. x .020 Thk.      |
|       | 736-0495    | 1   | S     | Thrust Wash. 5/8" I.D. x 1" O.D. x .025" Thk. |
| 60    | 736-0492    | 1   | S     | FI-Wash. .76" I.D. x 1.5" O.D. x .010" Thk.   |
|       | 736-0493    | 1   | S     | FI-Wash. .76" I.D. x 1.5" O.D. x .020" Thk.   |
|       | 736-0351    | 1   | S     | FI-Wash. .76" I.D. x 1.5" O.D. x .030" Thk.   |
|       | 736-0445    | 1   | S     | FI-Wash. .76" I.D. x 1.5" O.D. x .060" Thk.   |
| 61    | 736-0519    | 1   | S     | Thrust Washer                                 |
| 62    | 618-0162    | 1   | S     | Differential Ass'y.                           |
| 63    | 732-0742    | 1   | S     | R.H. Brake Spring                             |
|       | 737-0148    | 1   | S     | Grease - Shell (15 oz.)                       |
|       | 618-0163A   | 1   | S     | Single Speed Transaxle Right Hand             |

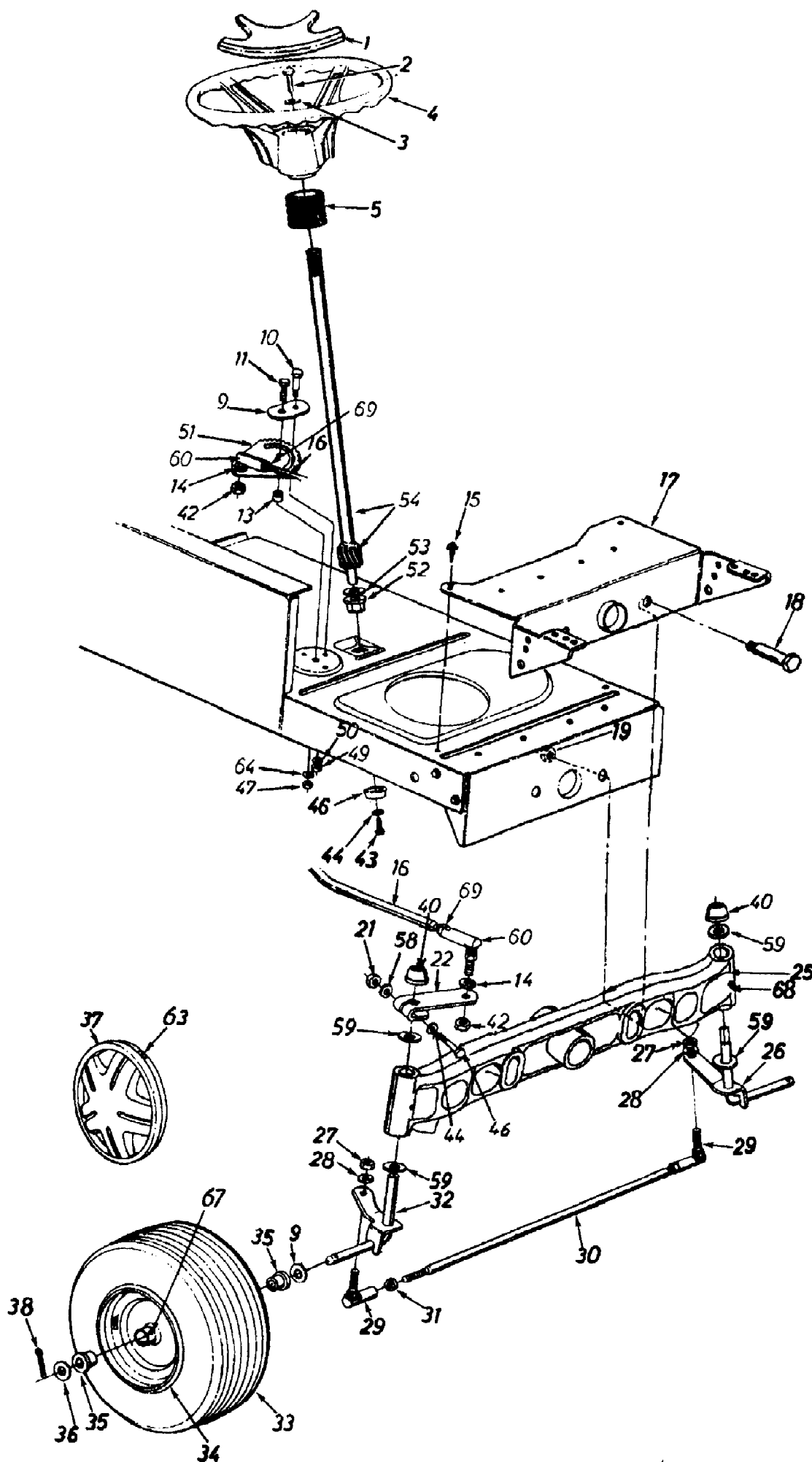
13A1686G190 LT-15 (1997)  
Speed Control



13A1686G190 LT-15 (1997)  
Speed Control

Page 14 of 24

| Ref # | Part Number | Qty | S/P/F | Description                        |
|-------|-------------|-----|-------|------------------------------------|
| 1     | 710-0924    | 1   | /P    | Truss Mach. Scr. 1/4-20 x .75" Lg. |
| 2     | 783-0341    | 1   |       | 8-Speed Selector Plate             |
| 3     | 720-0218    | 1   | /P    | Shift Knob                         |
| 4     | 16192A      | 1   | /P    | Speed Selector Lever Ass'y.        |
| 5     | 736-0192    | 1   | S     | Flat Washer .53" I.D. x .93"       |
| 6     | 711-0198    | 1   | S     | Ferrule 3/8-24 x .37" Dia.         |
| 7     | 738-0155    | 1   | S     | Shoulder Bolt                      |
| 8     | 747-0503A   | 1   |       | Speed Control Link                 |
| 9     | 714-0111    | 1   | S/F   | Cotter Pin 3/32" Dia. x 1.0"       |
| 10    | 736-0226    | 1   | S     | FI-Wash. .469" I.D. x .88"         |
| 11    | 736-0119    | 1   | S/F   | L-Wash. 5/16" I.D.                 |
| 12    | 712-3010    | 1   | S     | Hex Nut 5/16-18 Thd. (Gr. 5)       |
| 14    | 732-0303    | 1   | S     | Spring .38" O.D. x 3.18" Lg.       |
| 17    | 736-0140    | 1   | S     | FI-Wash. .385" I.D. x .62"         |
| 19    | 736-0329    | 1   | S/F   | L-Wash. 1/4" I.D.                  |
| 20    | 712-3006    | 1   | /P    | Hex Nut 1/4-20 Thd. (Gr. 5)        |



13A1686G190 LT-15 (1997)  
Steering And Front Wheels

Page 16 of 24

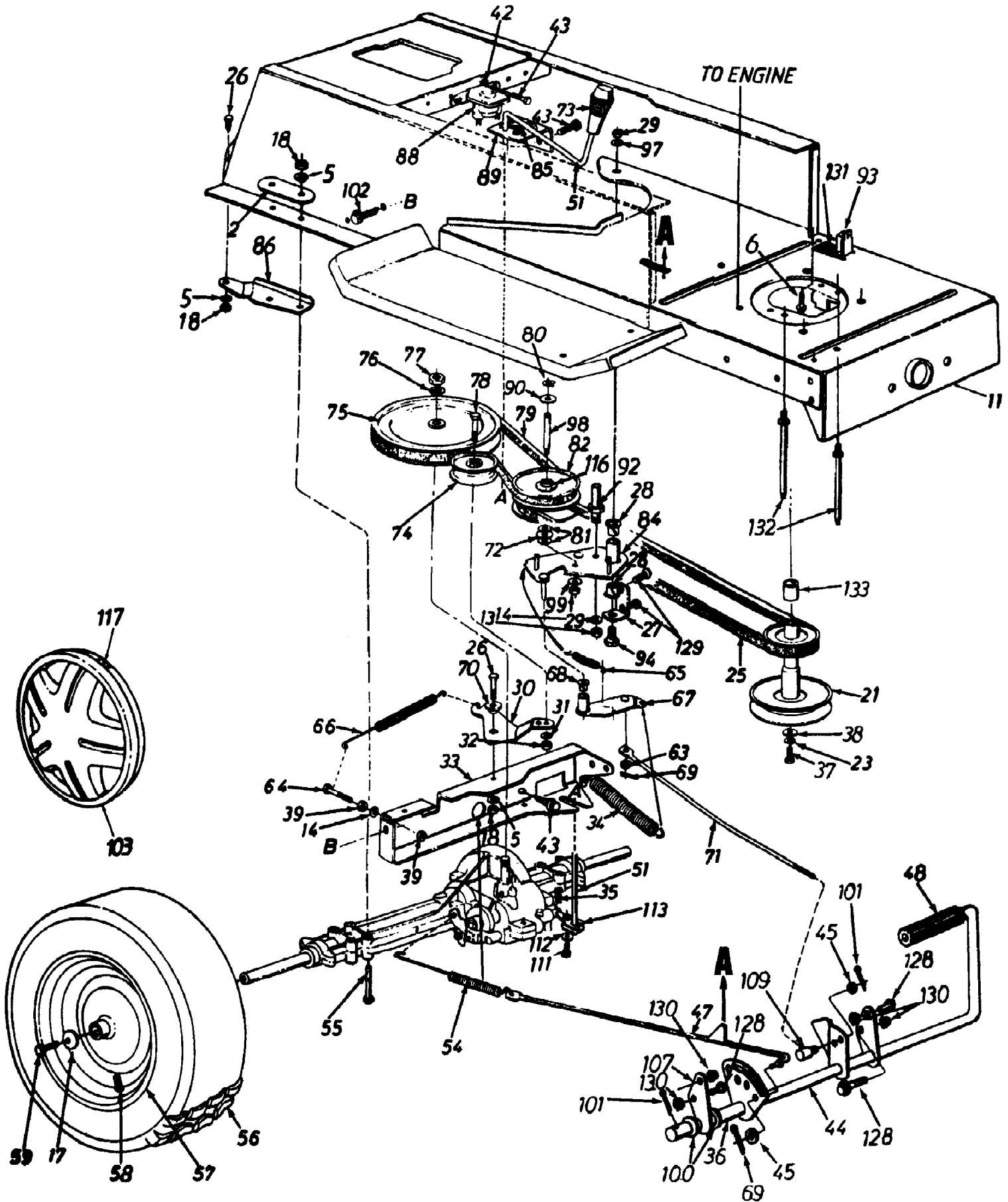
| Ref # | Part Number | Qty | S/P/F | Description   |
|-------|-------------|-----|-------|---|
| 1     | 731-1509A   | 1   | /P    | Steering Wheel Cap Code: N Notates a new part (not previously existing) |
| 2     | 710-0643    | 1   | /P    | Hex Bolt 5/16-18 x 1" Lg.   |
| 3     | 736-0242    | 1   | /P    | Belleville Wash. .345" I.D.   |
| 4     | 731-1686    | 1   | S     | Steering Wheel  |
| 5     | 731-0954    | 1   | S     | Steering Bellow - 9"  |
| 9     | 17198A      | 1   | S     | Retainer Plate  |
| 10    | 738-0141    | 1   | S     | Shoulder Bolt .437" Dia. x .35" Lg. - 5/16-18 Thd.                      |
| 11    | 710-0152    | 1   | S     | Hex Bolt 3/8-24 x 1.0" Lg. (Grade 5)                                    |
| 13    | 750-0535    | 1   | S     | Spacer .380" I.D. x .625" O.D. x .227                                   |
| 14    | 736-0217    | 1   | S     | L-Wash. 3/8" I.D. (H.D.)  |
| 15    | 710-0726    | 1   | /P    | Hex Wash. Hd. Self-Tap Scr.   |
| 16    | 711-1107    | 1   | S     | Steering Drag Link Code: N Notates a new part (not previously existing) |
| 17    | 783-0041A   | 1   | S     | Pivot Bar Brkt.   |
| 18    | 738-0527    | 1   | S     | Shoulder Bolt .498" Dia. x 2.04" Lg.- 3/8-16 Thd.                       |
| 19    | 712-0431    | 1   | S/F   | Flanged Hex Nut 3/8-16 Thd.   |
| 21    | 712-0411    | 1   | S     | Hex L-Nut 5/16-24 Thd.  |
| 22    | 683-0055    | 1   | S     | Steering Arm Front Axle   |
| ?23   | 710-0772    | 1   | /P    | Hex Bolt 5/16-24 x 2.00" Lg. (Grade 5)                                  |
| 25    | 719-0342    | 1   | S     | Pivot Bar Ass'y.  |
| 26    | 683-0127    | 1   | S     | Front Axle Ass'y.- L.H.   |
| 27    | 712-0241    | 1   | /P/F  | Hex Nut 3/8-24 Thd.   |
| 28    | 736-0169    | 1   | S/F   | L-Wash. 3/8" I.D.   |
| 29    | 723-3018    | 1   | S     | Ball Joint 3/8-24 Thd.  |
| 30    | 747-0753    | 1   |       | Tie Rod   |
| 31    | 712-0711    | 1   | /P/F  | Hex Jam Nut 3/8-24 Thd.   |
| 32    | 683-0126    | 1   | S     | Front Axle Ass'y. - R.H.  |
| 33    | 634-0059    | 1   |       | Wheel Ass'y. Comp.  |
|       | 734-0864    | 1   | /P    | Tire Only   |
|       | 734-0255    | 1   | S     | Air Valve   |
| 34    | 634-0051    | 1   | S     | Front Wheel Rim Only  |
| 35    | 741-0569    | 1   | S     | Bearing   |
| 36    | 736-0285    | 1   | /P    | FI-Wash. .635" I.D. x 1.59" O.D.  |
| 37    | 734-1783A   | 1   |       | Hub Cap Code: N Notates a new part (not previously existing)            |
| 38    | 714-0470    | 1   | S/F   | Cotter Pin 1/8" Dia. x 1.25"  |
| ?39   | 736-0531    | 1   | S     | FI-Wash. .640" I.D. x 1.24" O.D.  |
| 40    | 726-0214    | 1   | /P    | Push Cap 5/8" Dia. Rod  |
| 42    | 712-0262    | 1   | /P    | Hex Jam Nut 3/8-24 Thd.   |
| 43    | 710-1309    | 1   | /P    | Torx Bolt 5/16-18 x .63" Lg.  |
| 44    | 736-0119    | 1   | S/F   | L-Wash. 5/16" I.D.  |
| ?45   | 736-0343    | 1   | /P    | FI-Wash. .33" I.D. x 1.25" O.D.   |
| 46    | 748-0389    | 1   | S     | Cap   |
| 47    | 712-0214    | 1   | S     | Hex Cent. L-Nut 3/8-24 Thd.   |
| 49    | 712-0158    | 1   | S     | Hex Cent. L-Nut 5/16-18 Thd.  |
| 50    | 736-0119    | 1   | S/F   | L-Wash. 5/16" I.D.  |
| 51    | 717-0622A   | 1   | S     | Steering Gear Segment   |
| 52    | 741-0656    | 1   | S     | FI-Wash. .55" I.D. x 1.25" O.D.   |



13A1686G190 LT-15 (1997)  
Steering And Front Wheels

Page 17 of 24

| Ref # | Part Number | Qty | S/P/F | Description                       |
|-------|-------------|-----|-------|-----------------------------------|
| 53    | 736-0187    | 1   | /P    | Fl-Wash. (Hardened)               |
| 54    | 738-0919    | 1   | S     | Steering Shaft                    |
| 58    | 736-0271    | 1   | S     | Wave-Wash. .32" I.D. x .62" O.D   |
| 59    | 736-0187    | 1   | /P    | Fl-Wash. (Hardened)               |
| 60    | 723-0448    | 1   | S     | Drag Link Ball Joint 7/16-20 Thd. |
| 63    | 727-0425A   | 1   | S     | Spring Clip                       |
| 64    | 736-0356    | 1   | S     | Bell-Wash. .39" I.D. x 1.38" O.D. |
| 67    | 737-0211    | 1   | S     | Grease Fitting                    |
| 68    | 737-3000    | 1   | S     | Grease Fitting                    |
| 69    | 712-0240    | 1   | S     | Hex Jam Nut 7/16-20 Thd.          |



13A1686G190 LT-15 (1997)  
Transaxle And Rear Wheel Ass'y

Page 19 of 24

| Ref # | Part Number | Qty | S/P/F | Description  |
|-------|-------------|-----|-------|--|
| 2     | 17840       | 1   | S     | Transaxle Mtg. Brkt.   |
| 5     | 736-0119    | 1   | S/F   | L-Wash. 5/16" I.D.   |
| 6     |             | 1   |       | UNKNOWN  |
| 11    | 783-0310    | 1   | S     | Lower Frame Ass'y. Code: N Notates a new part (not previously existing)        |
| 13    | 712-0287    | 1   | S/F   | Hex Nut 1/4-20 Thd.  |
| 14    | 736-0329    | 1   | S/F   | L-Wash. 1/4" I.D.  |
| 17    | 736-0242    | 1   | /P    | Bell-Wash. .345" I.D. x .88"   |
| 18    | 712-0267    | 1   | S/F   | Hex Nut 5/16-18 Thd.   |
| 21    | 756-0982    | 1   | S     | Engine Pulley Code: N Notates a new part (not previously existing)             |
| 23    | 736-0171    | 1   | S/F   | L-Wash. 7/16" I.D.   |
| 25    | 754-0280    | 1   | S     | Variable-Speed Belt  |
| 26    | 710-0118    | 1   | S     | Hex Bolt 5/16-18 x .75" Lg.  |
| 27    | 17963       | 1   |       | Bearing Shaft Bracket Ass'y.   |
| 28    | 741-0591    | 1   | S     | Flanged Nyliner Brg. 5/8" I.D. x .88" Lg.                                      |
| 29    | 712-0241    | 1   | /P/F  | Hex Nut 3/8-24 Thd.  |
| 30    | 17694       | 1   | S     | Idler Bracket  |
| 31    | 736-0169    | 1   | S/F   | L-Wash. 3/8" I.D.  |
| 32    | 712-0241    | 1   | /P/F  | Hex Nut 3/8-24 Thd.  |
| 33    | 17629A      | 1   | S     | Transaxle Support Brkt.  |
| 34    | 732-0556    | 1   | S     | Ext. Spring .94" O.D. x 7.58"  |
| 35    | 714-0149B   | 1   | S     | Inter. Cotter Pin  |
| 36    | 750-0802    | 1   |       | Spacer .63" I.D.   |
| 37    | 710-0757    | 1   | /P    | Hex Bolt 7/16-20 x 1.5" Lg.  |
| 38    | 738-0785    | 1   | S     | Shld. Spacer .445" I.D.  |
| 39    | 712-0138    | 1   | S     | Hex Nut 1/4-28 Thd.  |
| ?40   | 710-0776    | 1   | S     | Hex AB-Tap Scr. 1/4" x .62" Lg.  |
| ?41   | 711-0747    | 1   | S     | Belt Guard Pin   |
| 42    | 736-0222    | 1   | S     | Ext. L-Wash. 1/4" I.D.   |
| 43    | 710-0599    | 1   | /P    | Hex Wash. Hd. S-Tap Scr. 1/4-20 x .50" Lg.                                     |
| 44    | 683-0123    | 1   |       | Clutch/Brake Pedal Ass'y. Code: N Notates a new part (not previously existing) |
| 45    | 736-0140    | 1   | S     | FI-Wash. .344" I.D. x .62"   |
| 47    | 747-0755A   | 1   |       | Brake Rod Ass'y. Code: N Notates a new part (not previously existing)          |
| 48    | 735-0196    | 1   | S     | Foot Pad   |
| 51    | 17705       | 1   | /P    | Shift Lever Ass'y.   |
| ?53   | 732-0264    | 1   | S     | Ext. Spring .38" O.D. x 2.5"   |
| 54    | 732-0642    | 1   | S     | Ext. Spring 7.33" Lg.  |
| 55    | 710-1266    | 1   | /P    | Hex Bolt 5/16-18 x 3.5" Lg.  |
| 56    | 734-1675    | 1   |       | Wheel Ass'y. Comp.   |
|       | 734-1596    | 1   |       | Tire Only  |
| 57    | 634-0070    | 1   | /P    | Wheel Rim Only   |
| 58    | 734-0255    | 1   | S     | Air Valve (Service Only)   |
| 59    | 710-0627    | 1   | /P/F  | Hex Bolt 5/16-24 x .75" Lg.  |
| ?61   | 732-0722    | 1   | S     | Brake Return Spring Anchor   |
| 63    | 736-0275    | 1   | S     | FI-Wash. .34" I.D. x .68" O.D.   |
| 64    | 710-0428    | 1   | F     | Hex Bolt 1/4-28 x 1.25" Lg.  |
| 65    | 732-0568    | 1   | S     | Ext. Spring  |
| 66    | 732-0384    | 1   | S     | Ext. Spring .62" O.D. x 6.12"  |

13A1686G190 LT-15 (1997)  
Transaxle And Rear Wheel Ass'y

Page 20 of 24

| Ref # | Part Number | Qty      | S/P/F | Description   |
|-------|-------------|----------|-------|---|
| 67    | 16554A      | 1        | S     | Variable Speed Torque Brkt. Ass'y.  |
| 68    | 741-0419    | 1        |       | Flanged Bearing   |
| 69    | 714-0111    | 1        | S/F   | Cotter Pin 3/32" Dia.   |
| 70    | 748-0234    | 1        | /P    | Shoulder Spacer .27" Lg.  |
| 71    | 747-0530A   | 1        | /P    | Speed Control Link  |
| 72    | 741-0405    | 1        | S     | Truss Bearing .56 Dia. x 1.25"  |
| 73    | 720-0232    | 1        | S     | Shift Knob  |
| 74    | 756-0437    | 1        | S     | FI-Idler Pulley 3.25" x .75"  |
| 75    | 656-0005    | 1        |       | "V" Pulley  |
| 76    | 736-0427    | 1        | S     | Bell-Wash. .56" I.D. x 1.125"   |
| 77    | 712-3035    | 1        | /P    | Hex Jam Nut 5/16-18 Thd.  |
| 78    | 710-0539    | 1        | /P    | Hex Bolt 3/8-24 x 1.75" Lg.   |
| 79    | 754-0370    | 1        | S     | Variable Speed Belt   |
| 80    | 716-0114    | 1        | S     | Snap Ring .56" Dia.   |
| 81    | 736-0355    | 1        | /P    | FI-Wash.  |
| 82    | 717-0800A   | 1        | S     | Variable Speed Pulley Ass'y. 5" O.D.  |
| 84    | 16354B      | 1        | S     | Variable Speed Brkt. Ass'y.   |
| 85    | 732-0525    | 1        |       | Comp. Spring - Clip   |
| 86    | 17668       | 1        | S     | Axle Support Brkt.- R.H.  |
|       | 17669       | 1        | S     | Axle Support Brkt.- L.H. (Not shown)  |
| 88    | 725-1426    | 1        | S     | Solenoid  |
| 89    | 17630       | 1        | S     | Shift Lever Bracket   |
| 90    | 736-0414    | 1        | S     | Teflon Washer .565" I.D.  |
| 92    | 711-1000    | 1        | S     | Belt Keeper 3" Lg.  |
| 93    | 725-1657A   | 1        | S     | Safety Switch (Clutch) Code: N Notates a new part (not previously existing) |
| 94    | 738-0755    | 1        | S     | Shld. Bolt 3/8-24 x 3.12" Lg.   |
| 97    | 736-0105    | 1        | /P    | Bell-Wash. .38" I.D. x .88"   |
| 98    | 738-0569    | 1        | S     | Shaft .56" Dia. x 3.875" Lg.  |
| 99    | 736-0331    | 1        | /P    | Bell-Wash. .39" I.D. x 1.12"  |
| 100   | 736-0256    | 1        | S     | FI-Wash. .64" I.D. x .94"   |
| 101   | 714-0470    | 1        | S     | Cotter Pin 1/8" Dia. x 1.25"  |
| 102   | 710-0604    | 1        | S     | Hex Wash. Hd. Scr. 5/16-18 x .62" Lg.                                       |
| 103   | 734-1784    | 1        | S     | Hub Cap   |
| 107   | 17860       | 1        | S     | Pedal Bracket   |
| 109   | 711-0198    | 1        | S     | Ferrule   |
| 111   | 710-0195    | 1        | S     | Hex Bolt 1/4-28 x .50" Lg.  |
| 112   | 736-0270    | 1        | /P    | Bell-Wash. .265" I.D. x .75"  |
| 113   | 17707       | 1        |       | Shift Lever Link Ass'y.   |
| ?115  | 736-0140    | 1        | S     | FI-Wash. .385" I.D. x .62"  |
| 116   | 741-0404    | 2 Req'd. | S     | Needle Brgs.  |
| 117   | 727-0425A   | 1        | S     | Spring Clip (Used w/Ref. No. 103)   |
| ?119  | 710-0427    | 1        | S     | Hex Bolt 3/8-16 x 1.25" Lg.   |
| ?120  | 756-0217    | 1        | S     | FI-Idler w/Flanges 2.75" O.D.   |
| ?121  | 736-0280    | 1        |       | FI-Wash. .39" I.D. x 1.12" O.D.   |
| ?122  | 712-0798    | 1        | /P    | Hex Nut 3/8-16 Thd.   |
| 128   | 710-0650    | 1        | /P    | Hex Wash. TT-Tap Scr. 5/16-18 x .75" Lg.                                    |
| 129   | 710-0726    | 1        | /P    | Hex Wash. AB-Tap Scr. 5/16-18 x .75" Lg.                                    |
| 130   | 712-0265    | 1        | /P    | Hex Sems Nut 5/16-18 Thd.   |
| 131   | 732-0750A   | 1        | S     | Spring Switch Code: N Notates a new part (not previously existing)          |
| 132   | 711-1044    | 1        | S     | Belt Guard Pin  |

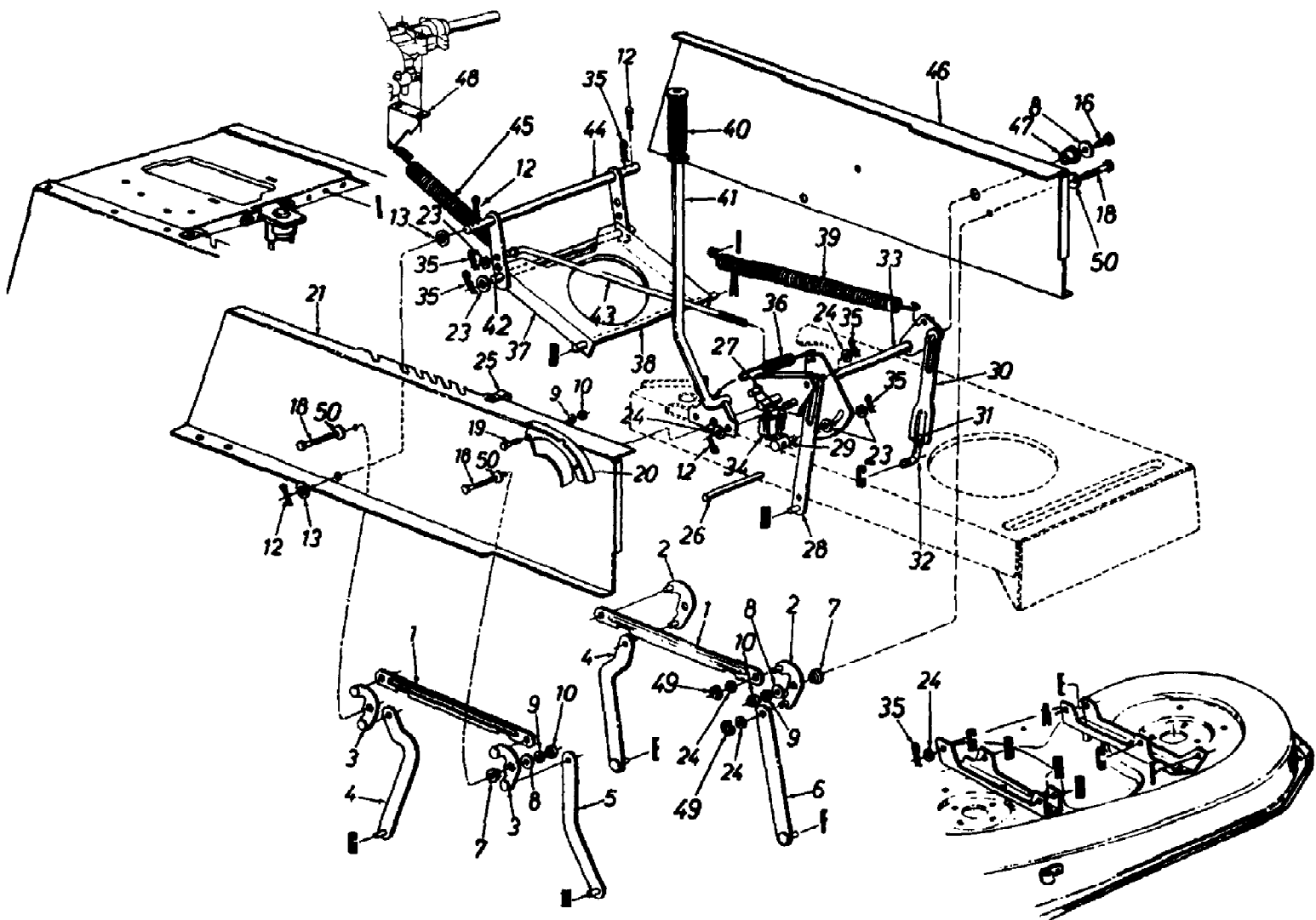
13A1686G190 LT-15 (1997)  
Transaxle And Rear Wheel Ass'y

---

| Ref # | Part Number | Qty | S/P/F | Description |
|-------|-------------|-----|-------|-------------|
| 133   | 750-0956    | 1   |       | Spacer      |

---

13A1686G190 LT-15 (1997)  
Upper Frame And Link Deck Lift Ass'y



13A1686G190 LT-15 (1997)  
Upper Frame And Link Deck Lift Ass'y

Page 23 of 24

| Ref # | Part Number | Qty | S/P/F | Description                              |
|-------|-------------|-----|-------|--|
| 1     | 783-0103    | 1   | S     | Connecting Rod                           |
| 2     | 683-0029A   | 1   | S     | Pivot Link Ass'y.- L.H.                  |
| 3     | 683-0028A   | 1   |       | Pivot Link Ass'y.- R.H.                  |
| 4     | 17710       | 1   | S     | Deck Hanger Link Ass'y.                  |
| 5     | 14800A      | 1   | S     | Deck Hanger Link Ass'y.                  |
| 6     | 14804A      | 1   |       | Deck Hanger Link Ass'y.                  |
| 7     | 748-0331    | 1   | S     | Shld. Spacer .318" I.D.                  |
| 8     | 736-0264    | 1   | S     | FI-Wash. .344" I.D. x .62" O.D.          |
| 9     | 736-0119    | 1   | S/F   | L-Wash. 5/16" I.D.                       |
| 10    | 712-3010    | 1   | S     | Hex Nut 5/16-18 Thd. (Gr. 5)             |
| 12    | 714-0470    | 1   | S     | Cotter Pin 1/8" Dia.                     |
| 13    | 736-0256    | 1   | S     | FI-Wash. .635" I.D. x 1.0" O.D.          |
| 16    | 710-0604    | 1   | S     | Hex Wash. TT-Tap Scr. 5/16-18 x .75" Lg. |
| 18    | 710-1238    | 1   | /P    | Hex Wash. Hd. Scr. 5/16-18 x .875" Lg.   |
| 19    | 710-0118    | 1   | S     | Hex Bolt 5/16-18 x .75" Lg.              |
| 20    | 783-0118    | 1   |       | Index Brkt.                              |
| 21    | 783-0042A   | 1   | S     | Upper Frame - R.H.                       |
| 23    | 736-0267    | 1   | S     | FI-Wash. .385" I.D. x .81" O.D.          |
| 24    | 736-0160    | 1   | S     | FI-Wash. .531" I.D. x .93" O.D.          |
| 25    | 726-0272    | 1   | /P    | Clamp                                    |
| 26    | 738-0526    | 1   |       | Running Board Rod                        |
| 27    | 710-3007    | 1   | /P    | Hex Wash. Hd. Tap Scr.                   |
| 28    | 14802A      | 1   | S     | Link Deck Lift Ass'y.                    |
| 29    | 711-0723A   | 1   | S     | Adj. Ferrule 3/8-24 Thd.                 |
| 30    | 17712       | 1   | S     | Adj. Deck Lift Link                      |
| 31    | 712-3066    | 1   | S     | Hex Nut 1/2-20 Thd. (Gr. 5)              |
| 32    | 711-0841    | 1   | S     | Lift Link Adjuster                       |
| 33    | 683-0059    | 1   | S     | Lift Shaft Ass'y.                        |
| 34    | 725-1657    | 1   | S     | Safety Switch (Deck)                     |
| 35    | 714-0145    | 1   | S     | Inter. Cotter Pin 3/8" Dia.              |
| 36    | 732-0637    | 1   | S     | Extension Spring                         |
| 37    | 17636B      | 1   | S     | Stabilizer Bracket                       |
| 38    | 738-0670    | 1   | S     | Shaft 1/2" Dia. x 10.28" Lg.             |
| 39    | 732-0638    | 1   |       | Extension Spring                         |
| 40    | 720-0233    | 1   | S     | Grip (Lift Handle)                       |
| 41    | 97675A      | 1   | S     | Deck Lift Handle Ass'y.                  |
| 42    | 738-0669    | 1   |       | Shaft 3/8" Dia. x 9.34" Lg.              |
| 43    | 747-0598    | 1   |       | Disengagement Rod                        |
| 44    | 97624       | 1   | S     | Stabilizer Shaft Ass'y.                  |
| 45    | 732-0556    | 1   | S     | Extension Spring 7.58" Lg.               |
| 46    | 783-0043    | 1   | /P    | Upper Frame - L.H.                       |
| 47    | 741-0313    | 1   | S     | Flange Brg. .632" I.D.                   |
| 48    | 17128A      | 1   | S     | Spring Retainer Brkt.                    |
| 49    | 716-0104    | 1   | S     | "E"-Ring                                 |
| 50    | 736-0425    | 1   | S     | Bell-Wash. .325" I.D.                    |

13A1686G190 LT-15 (1997)  
Wiring Diagram

